



CAMPKO[®]

for a save gas supply

GAS BOTTLE HOLDER



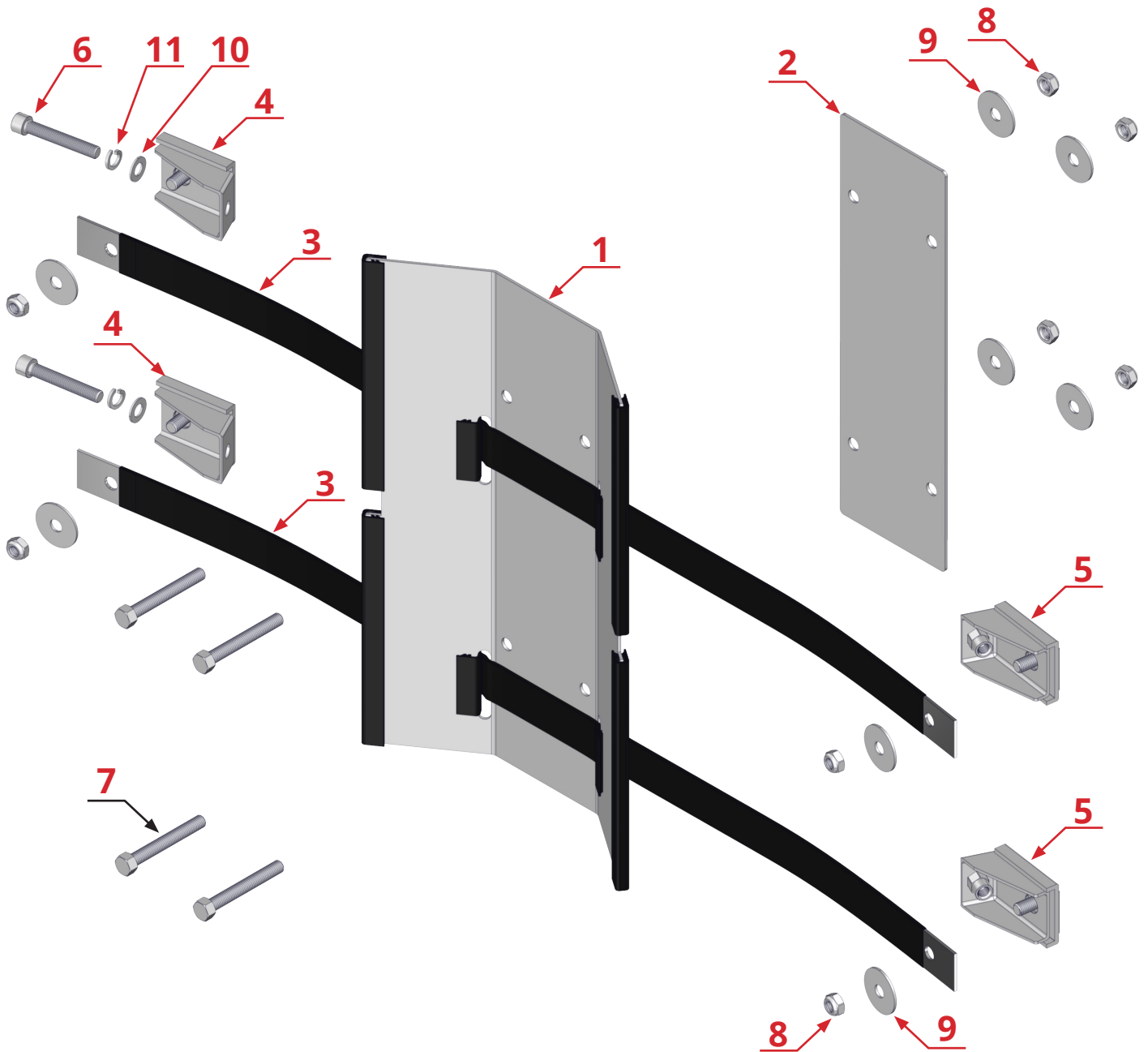
INSTALLATION INSTRUCTIONS



PART LIST

Part No.	Part Name	Qty
1	Front bracket	1
2	Counter plate	1
3	Belt	2
4	Buckle regular	3
5	Buckle with threaded insert	2

Part No.	Part Name	Qty
6	Round-head bolt	2
7	Hex-head bolt	4
8	Nut	8
9	Washer Ø30	8
10	Washer Ø16	2
11	Lock washer	2





TOOLS NEEDED



Socket wrench 13mm



Allen key 6mm



Drill + Drill bit Ø10mm



Pen



DRILING HOLES

Step 1- Determine the position of the bottle in your gas locker.

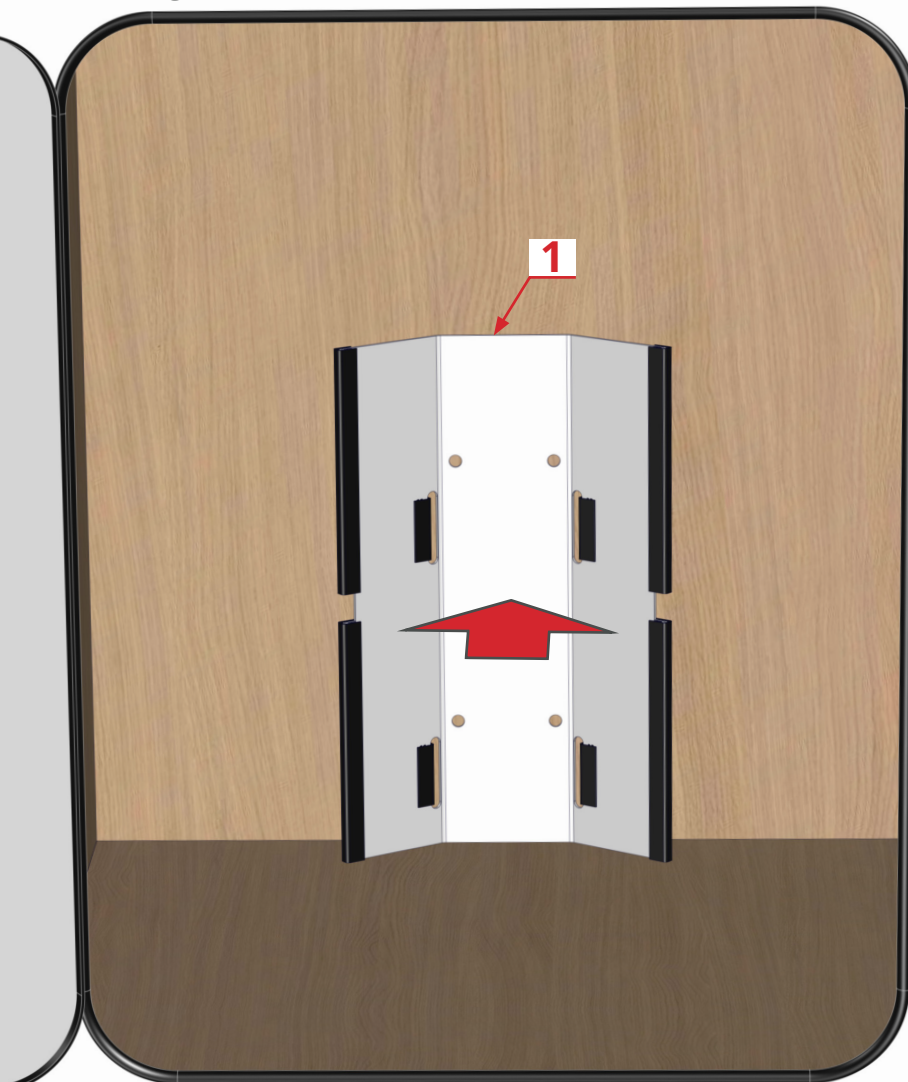
STANDARD POSITION



OPTIONAL POSITIONS



Step 2- Place the front bracket in the selected position in the gas locker.



Step 3- Mark the 4 holes for drilling through the holes in the front bracket.



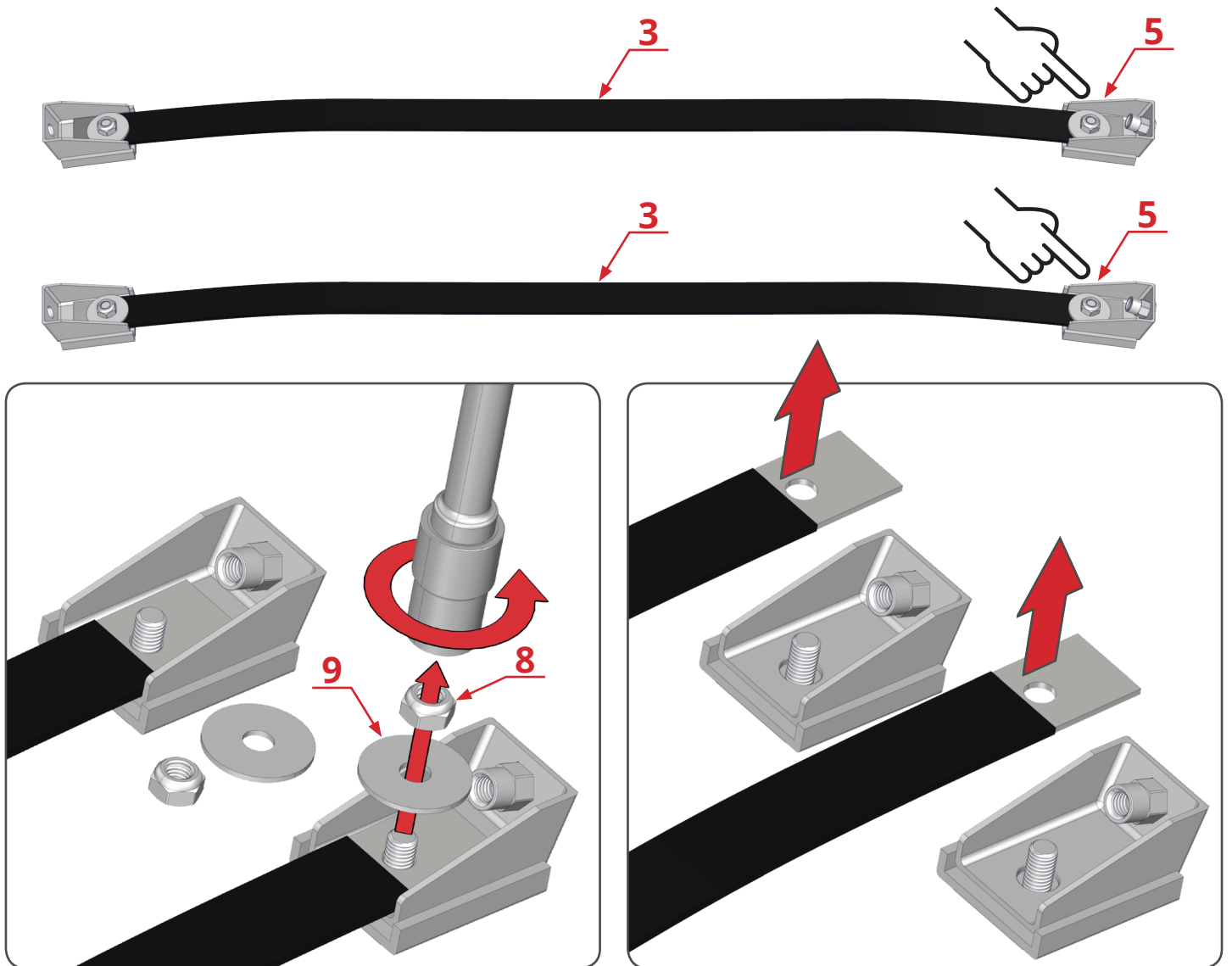
Step 4- Drill 4 holes using a 10mm drill bit.



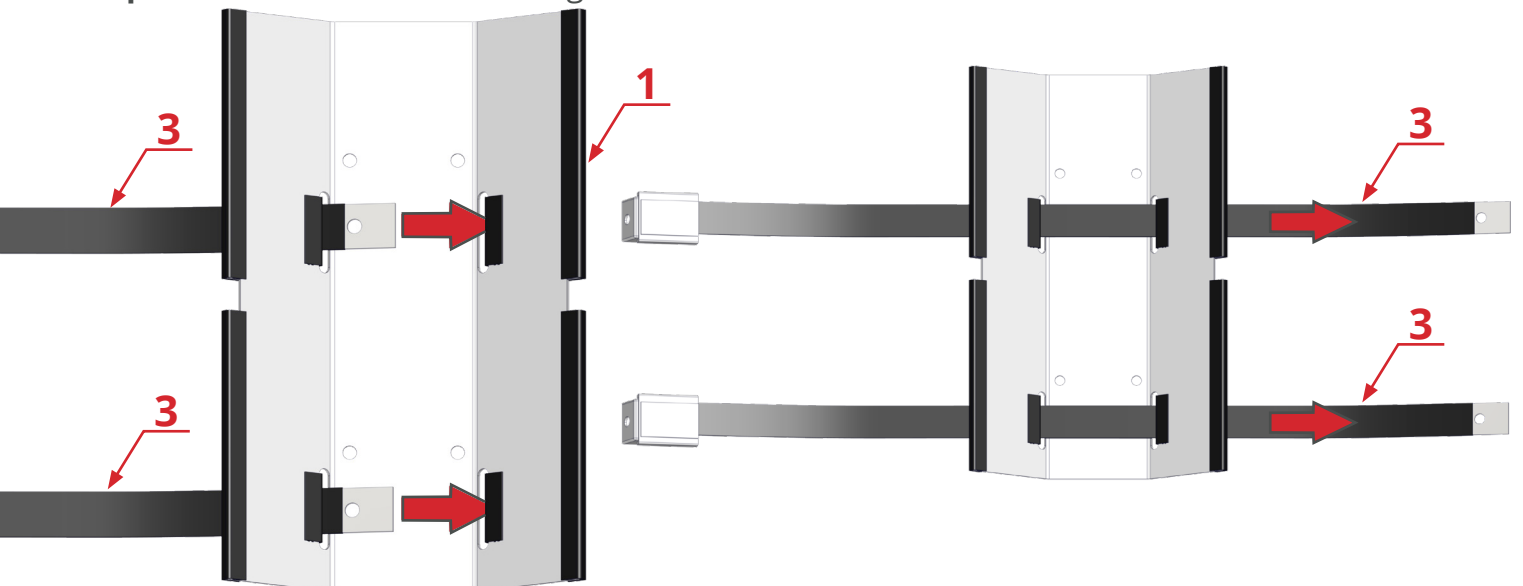


INSTALLATION

Step 5- Unscrew the nut from the buckle on one side of both belts and remove the buckle from the belts.



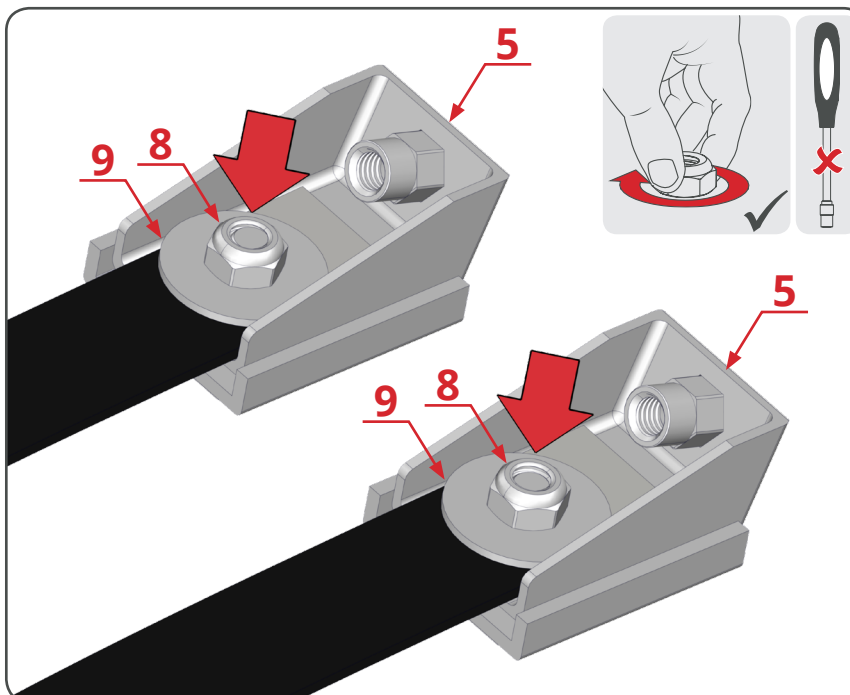
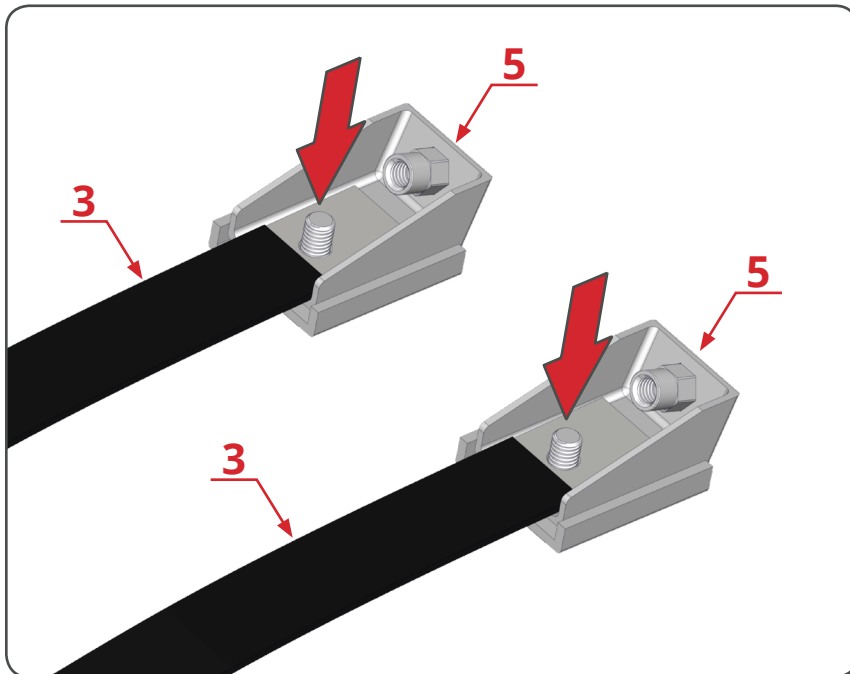
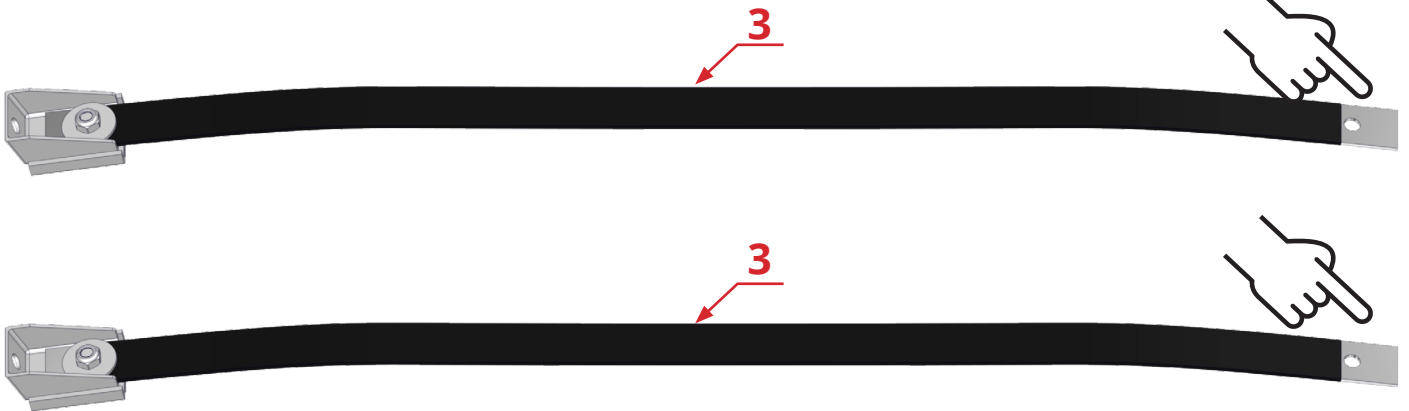
Step 6- Pass the both belts through the holes in the front bracket.





INSTALLATION

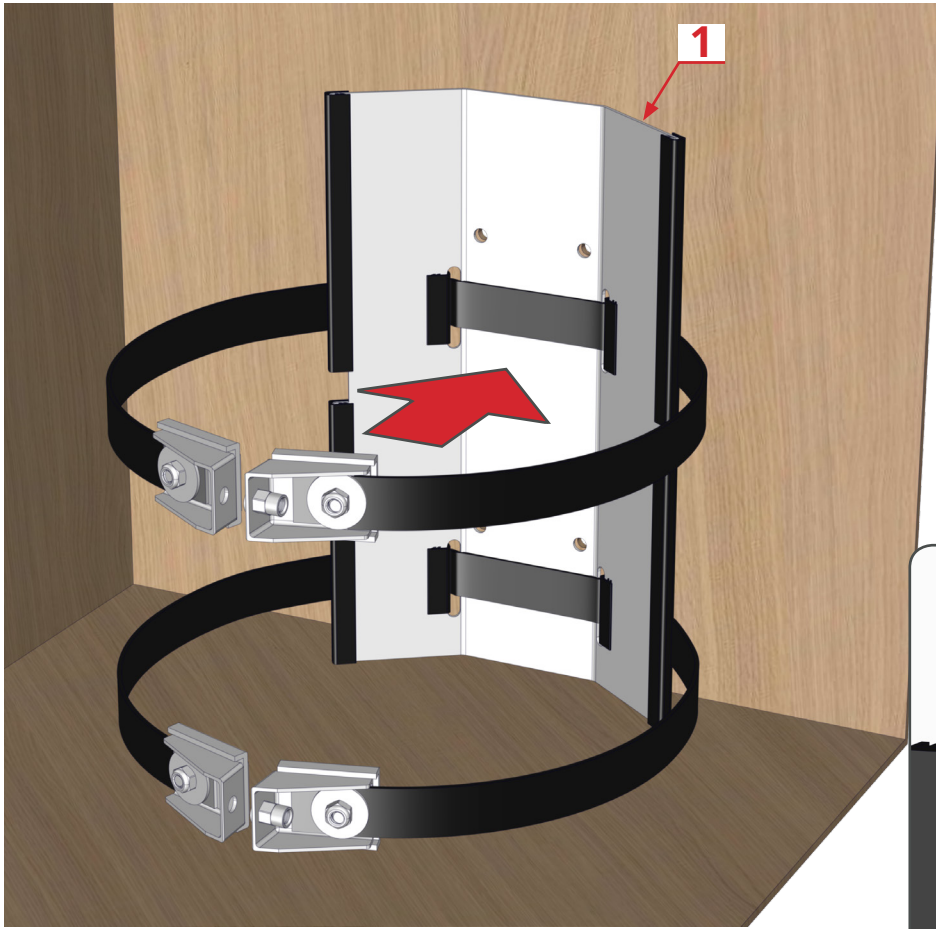
Step 7- Put the buckles back on the belts and tighten the nut - not completely, just to fix and hold the different buckle as in delivered status.



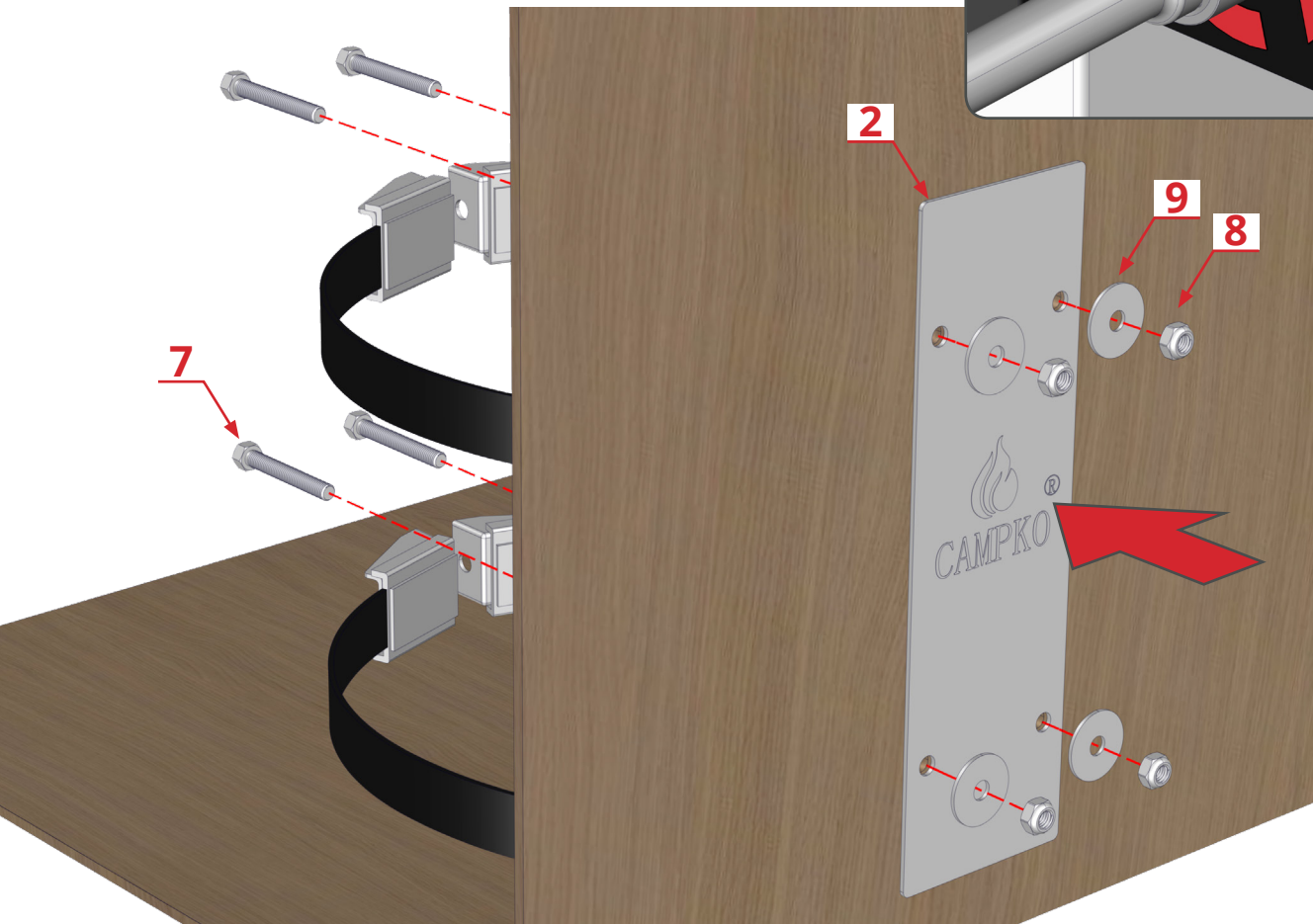
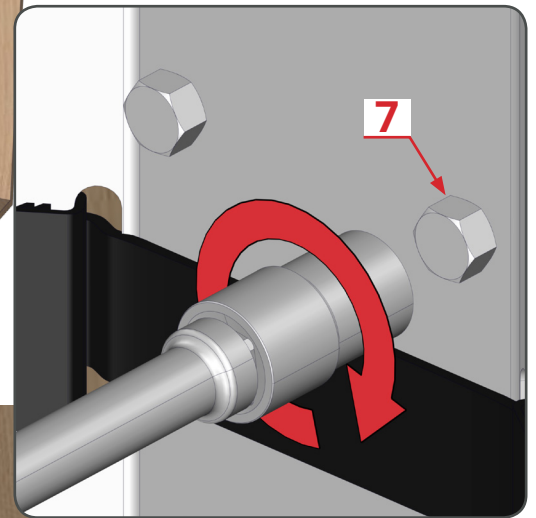


INSTALLATION

Step 8- Place the front bracket in the gas locker and place the counter plate behind the cabin and fix them with hex-head bolts, Ø30 washers, and nuts.



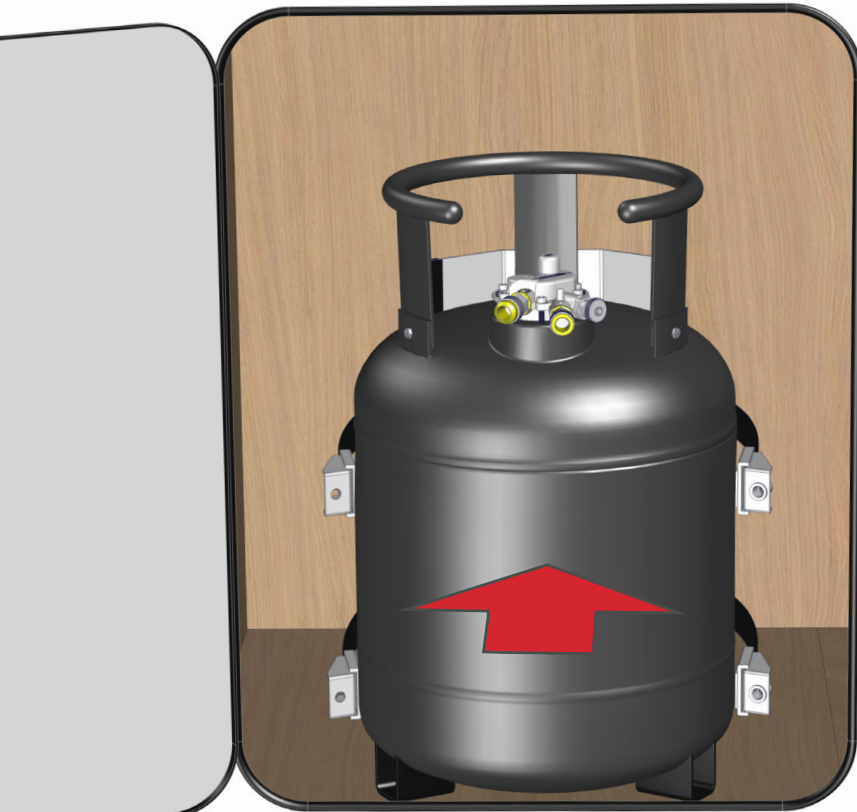
For those who want to install in accordance to regulation UN no. 67: The holder must be fixed to the steel frame of the vehicle to meet the requirements of the UN regulation no. 67.



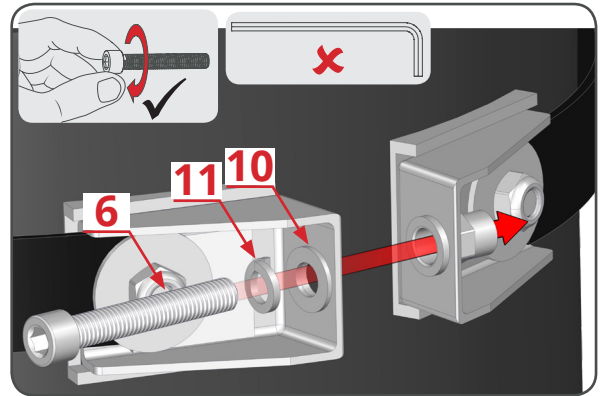


INSTALLATION

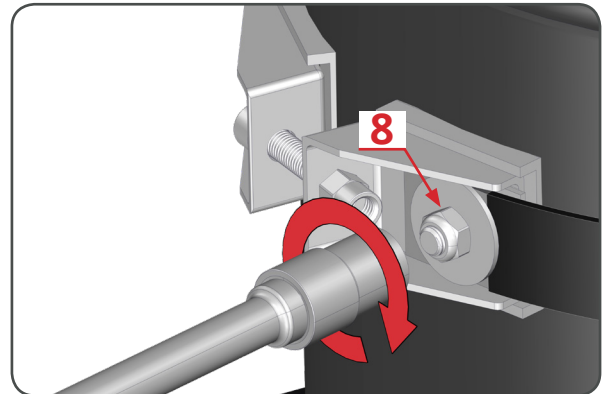
Step 9- Place the gas bottle in the gas locker, in front of the front bracket.



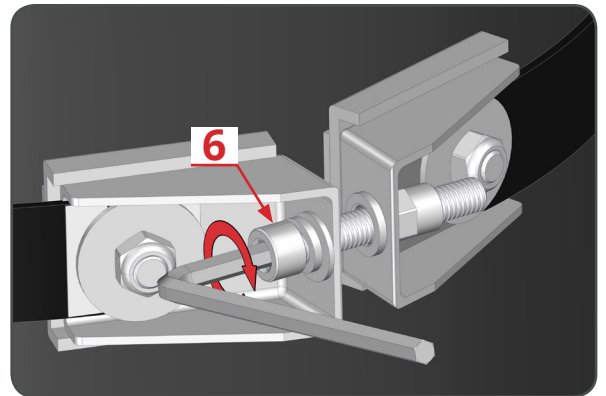
Step 10- Fix the buckles with the round-head bolts, lock washer and 16mm washer by hand.



Step 11- Tighten the nuts using a 13mm socket wrench.



Step 12- Tighten the round-head bolts using a 6mm allen key.



Your gas bottle is fixed now and ready to use!